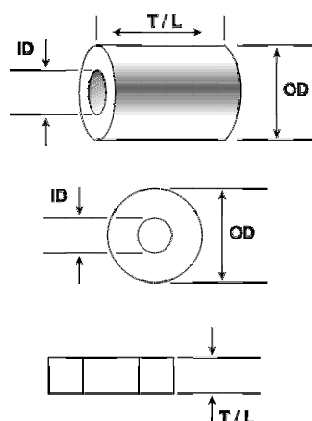
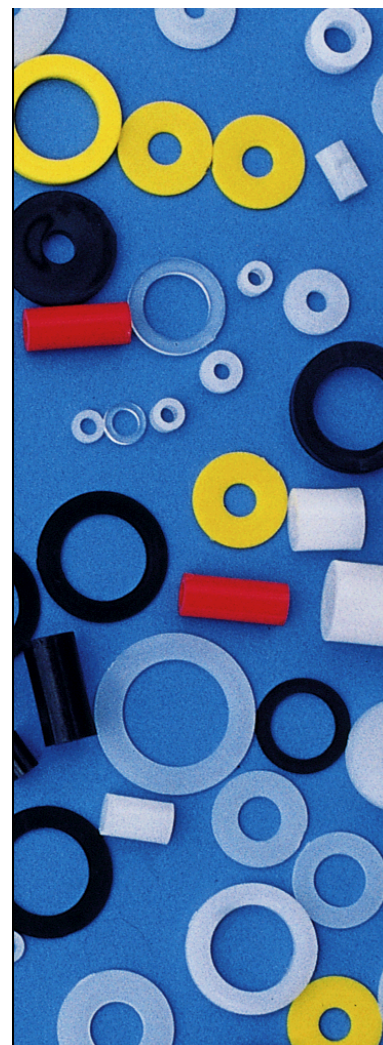


PART. NO	OD	ID	T/L
12-4.3-1	12	4.3	1.0
12-4.3-1.5	12	4.3	1.5
12-4.3-2	12	4.3	2.0
12-4.3-3	12	4.3	3.0
12-4.3-4	12	4.3	4.0
12-4.3-5	12	4.3	5.0
12-4.3-6	12	4.3	6.0
12-4.3-7.5	12	4.3	7.5
12-4.3-8	12	4.3	8.0
12-4.3-10	12	4.3	10.0
12-4.3-12.5	12	4.3	12.5
12-4.3-15	12	4.3	15.0
12-4.3-20	12	4.3	20.0
12-4.3-25	12	4.3	25.0
12-5.3-1	12	5.3	1.0
12-5.3-1.5	12	5.3	1.5
12-5.3-2	12	5.3	2.0
12-5.3-3	12	5.3	3.0
12-5.3-4	12	5.3	4.0
12-5.3-5	12	5.3	5.0
12-5.3-6	12	5.3	6.0
12-5.3-7.5	12	5.3	7.5
12-5.3-8	12	5.3	8.0
12-5.3-10	12	5.3	10.0
12-5.3-12.5	12	5.3	12.5
12-5.3-15	12	5.3	15.0
12-5.3-20	12	5.3	20.0
12-5.3-25	12	5.3	25.0
12-5.3-30	12	5.3	30.0
12-5.3-35	12	5.3	35.0
12-5.3-40	12	5.3	40.0
12-5.3-45	12	5.3	45.0
12-5.3-50	12	5.3	50.0
12-6.3-1	12	6.3	1.0
12-6.3-1.5	12	6.3	1.5
12-6.3-2	12	6.3	2.0
12-6.3-3	12	6.3	3.0
12-6.3-4	12	6.3	4.0
12-6.3-5	12	6.3	5.0
12-6.3-6	12	6.3	6.0

PART. NO	OD	ID	T/L
12-6.3-7.5	12	6.3	7.5
12-6.3-8	12	6.3	8.0
12-6.3-10	12	6.3	10.0
12-6.3-12.5	12	6.3	12.5
12-6.3-15	12	6.3	15.0
12-6.3-20	12	6.3	20.0
12-6.3-25	12	6.3	25.0
12-6.3-30	12	6.3	30.0
12-6.3-35	12	6.3	35.0
12-6.3-40	12	6.3	40.0
12-6.3-45	12	6.3	45.0
12-6.3-50	12	6.3	50.0
12-8.3-1	12	8.3	1.0
12-8.3-1.5	12	8.3	1.5
12-8.3-2	12	8.3	2.0
12-8.3-3	12	8.3	3.0
12-8.3-4	12	8.3	4.0
12-8.3-5	12	8.3	5.0
12-8.3-6	12	8.3	6.0
12-8.3-7.5	12	8.3	7.5
12-8.3-8	12	8.3	8.0
12-8.3-10	12	8.3	10.0
12-8.3-12.5	12	8.3	12.5
12-8.3-15	12	8.3	15.0
12-8.3-20	12	8.3	20.0
12-8.3-25	12	8.3	25.0
12-8.3-30	12	8.3	30.0
12-8.3-35	12	8.3	35.0
12-8.3-40	12	8.3	40.0
12-8.3-45	12	8.3	45.0
12-8.3-50	12	8.3	50.0



**Stock components available in:**

- Nylon 6
- H.D.P.E. (High Density Polyethylene)
- Colours - Natural and Black others available on request
- Intermediate lengths on request
- Specification of materials on request

**Custom Mouldings:**

- Please send drawings or samples for quotation