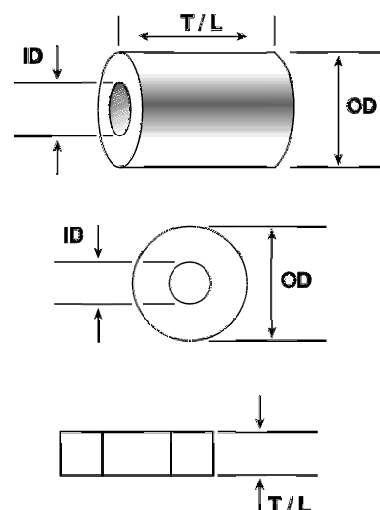


PART. NO	OD	ID	T/L
22-6.3-1	22	6.3	1.0
22-6.3-1.5	22	6.3	1.5
22-6.3-2	22	6.3	2.0
22-6.3-3	22	6.3	3.0
22-6.3-4	22	6.3	4.0
22-6.3-5	22	6.3	5.0
22-6.3-6	22	6.3	6.0
22-6.3-7.5	22	6.3	7.5
22-6.3-8	22	6.3	8.0
22-6.3-10	22	6.3	10.0
22-6.3-12.5	22	6.3	12.5
22-6.3-15	22	6.3	15.0
22-6.3-20	22	6.3	20.0
22-6.3-25	22	6.3	25.0
22-8.3-1	22	8.3	1.0
22-8.3-1.5	22	8.3	1.5
22-8.3-2	22	8.3	2.0
22-8.3-3	22	8.3	3.0
22-8.3-4	22	8.3	4.0
22-8.3-5	22	8.3	5.0
22-8.3-6	22	8.3	6.0
22-8.3-7.5	22	8.3	7.5
22-8.3-8	22	8.3	8.0
22-8.3-10	22	8.3	10.0
22-8.3-12.5	22	8.3	12.5
22-8.3-15	22	8.3	15.0
22-8.3-20	22	8.3	20.0
22-8.3-25	22	8.3	25.0
22-8.3-30	22	8.3	30.0
22-8.3-35	22	8.3	35.0
22-8.3-40	22	8.3	40.0
22-8.3-45	22	8.3	45.0
22-8.3-50	22	8.3	50.0
22-10.4-1	22	10.4	1.0
22-10.4-1.5	22	10.4	1.5
22-10.4-2	22	10.4	2.0
22-10.4-3	22	10.4	3.0
22-10.4-4	22	10.4	4.0
22-10.4-5	22	10.4	5.0
22-10.4-6	22	10.4	6.0

PART. NO	OD	ID	T/L
22-10.4-7.5	22	10.4	7.5
22-10.4-8	22	10.4	8.0
22-10.4-10	22	10.4	10.0
22-10.4-12.5	22	10.4	12.5
22-10.4-15	22	10.4	15.0
22-10.4-20	22	10.4	20.0
22-10.4-25	22	10.4	25.0
22-10.4-30	22	10.4	30.0
22-10.4-35	22	10.4	35.0
22-10.4-40	22	10.4	40.0
22-10.4-45	22	10.4	45.0
22-10.4-50	22	10.4	50.0
22-12.8-1	22	12.8	1.0
22-12.8-1.5	22	12.8	1.5
22-12.8-2	22	12.8	2.0
22-12.8-3	22	12.8	3.0
22-12.8-4	22	12.8	4.0
22-12.8-5	22	12.8	5.0
22-12.8-6	22	12.8	6.0
22-12.8-7.5	22	12.8	7.5
22-12.8-8	22	12.8	8.0
22-12.8-10	22	12.8	10.0
22-12.8-12.5	22	12.8	12.5
22-12.8-15	22	12.8	15.0
22-12.8-20	22	12.8	20.0
22-12.8-25	22	12.8	25.0
22-12.8-30	22	12.8	30.0
22-12.8-35	22	12.8	35.0
22-12.8-40	22	12.8	40.0
22-12.8-45	22	12.8	45.0
22-12.8-50	22	12.8	50.0
22-16.5-1	22	16.5	1.0
22-16.5-1.5	22	16.5	1.5
22-16.5-2	22	16.5	2.0
22-16.5-3	22	16.5	3.0
22-16.5-4	22	16.5	4.0
22-16.5-5	22	16.5	5.0
22-16.5-6	22	16.5	6.0
22-16.5-7.5	22	16.5	7.5
22-16.5-8	22	16.5	8.0

PART. NO	OD	ID	T/L
22-16.5-10	22	16.5	10.0
22-16.5-12.5	22	16.5	12.5
22-16.5-15	22	16.5	15.0
22-16.5-20	22	16.5	20.0
22-16.5-25	22	16.5	25.0
22-16.5-30	22	16.5	30.0
22-16.5-35	22	16.5	35.0
22-16.5-40	22	16.5	40.0
22-16.5-45	22	16.5	45.0
22-16.5-50	22	16.5	50.0



**Stock components available in:**

- Nylon 6
- H.D.P.E. (High Density Polyethylene)
- Colours - Natural and Black others available on request
- Intermediate lengths on request
- Specification of materials on request

**Custom Mouldings:**

- Please send drawings or samples for quotation